



深圳市华显晶显示技术有限公司

HUA XIAN JING Display Limited

Contacts: Lyna Huang

E-mail: sales@huaxianjing.com

Skype: lynahuang2012

Mobile: +86 13632586591

SPECIFICATION FOR LCM MODULE

MODULE NO.: HSM2004A-48

REVISION NO.: A0

Customer Approval:

--

	SIGNATURE
PREPARED BY	
VERIFIED BY	
APPROVED BY	



深圳市华显晶显示技术有限公司

HUA XIAN JING Display Limited

Contacts: Lyna Huang

E-mail: sales@huaxianjing.com

Skype: lynahuang2012

Mobile: +86 13632586591

RECORDS OF REVISION

Date	Rev.	Description	Page	Design by
2023.12.21	A0	New Sample.	-	-
			-	-



深圳市华显晶显示技术有限公司

HUA XIAN JING Display Limited

Contacts: Lyna Huang

E-mail: sales@huaxianjing.com

Skype: lynahuang2012

Mobile: +86 13632586591

Contents

1. SPECIFICATIONS

- 1.1 Features
- 1.2 Mechanical Specifications
- 1.3 Absolute Maximum Ratings
- 1.4 DC Electrical Characteristics
- 1.5 Backlight & LED Characteristics

2. MODULE STRUCTURE

- 2.1 Counter Drawing
- 2.2 Interface Pin Description
- 2.3 Timing Characteristics
- 2.4 Instruction Table
- 2.5 Character Generator ROM
- 2.6 Inspection Specification



深圳市华显晶显示技术有限公司

HUA XIAN JING Display Limited

Contacts: Lyna Huang

E-mail: sales@huaxianjing.com

Skype: lynahuang2012

Mobile: +86 13632586591

1. SPECIFICATIONS

1.1 Features

Item	Standard Value
Display Type	20characters × 4 lines
LCD Type	STN, NEGATIVE (BLUE), TRANSMISSIVE
Driver Condition	LCD Module : 1/16Duty , 1/5Bias
Viewing Direction	6 O'clock
Backlight Type	SIDE WHIET
Interface	8-bit MPU interface
Driver IC	AIP31066

1.2 Mechanical Specifications

Item	Standard Value	Unit
Outline Dimension	98(L) * 60(W) * Max 13.2(T)	mm
Viewing Area	77(L) * 25.2(W)	mm
Dot size	0.56(W) × 0.56(H)	mm
Dot pitch	0.6(W) × 0.6 (H)	mm
Character size	4.76(W) × 2.96(H)	mm

1.3 Absolute Maximum Ratings

Item	Symbol	Condition	Min.	Max.	Unit
System Power Supply Voltage	VDD	-	-0.3	5.5	V
LCD Driver Supply Voltage	VLCD	-	4.0	5.0	V
Input Voltage	V _{IN}	-	-0.3	5.5	V
Operating Temperature	T _{OP}	-	-20	70	°C
Storage Temperature	T _{ST}	-	-30	80	°C
Storage Humidity	H _D	T _a < 40 °C	20	80	%RH



深圳市华显晶显示技术有限公司

HUA XIAN JING Display Limited

Contacts: Lyna Huang

E-mail: sales@huaxianjing.com

Skype: lynahuang2012

Mobile: +86 13632586591

1.4 DC Electrical Characteristics

VDD = 5.0V ± 0.2V, GND = 0V, Ta = 25°C

Item	Symbol	Condition	Min.	Typ.	Max.	Unit
Logic Supply Voltage	VDD	-	3.0	5.0	5.5	V
Input High Voltage	V _{IH}	-	2.2	-	5.0	V
Input Low Voltage	V _{IL}	-	0	-	0.6	V
Output High Voltage	V _{OH}	-	2.4	-	5.0	V
Output Low Voltage	V _{OL}	-	0	-	0.4	V

1.5 Backlight Characteristics

LCD Module with LED Backlight

Electrical / Optical Characteristics

Ta = 25°C

Item	Symbol	Conditions	Min.	Typ.	Max.	Unit
Forward Voltage	V _f	I _f =30mA	4.8	5.0	5.2	V
Reverse Current	I _r	I _f =5v			--	uA
Average Brightness	I _V	I _f =30mA				cd/m ²
Wavelength (Without LCD)	λ _d	I _f =30mA	--	--	--	nm
Luminous Intensity (without LCD)	L _v Sub	I _f =30mA				cd/m ²
Uniformity	Δ%	I _v Min / I _v Max *100%	--	-	-	%
Color	WHITE					



深圳市华显晶显示技术有限公司

HUA XIAN JING Display Limited

Contacts: Lyna Huang

E-mail: sales@huaxianjing.com

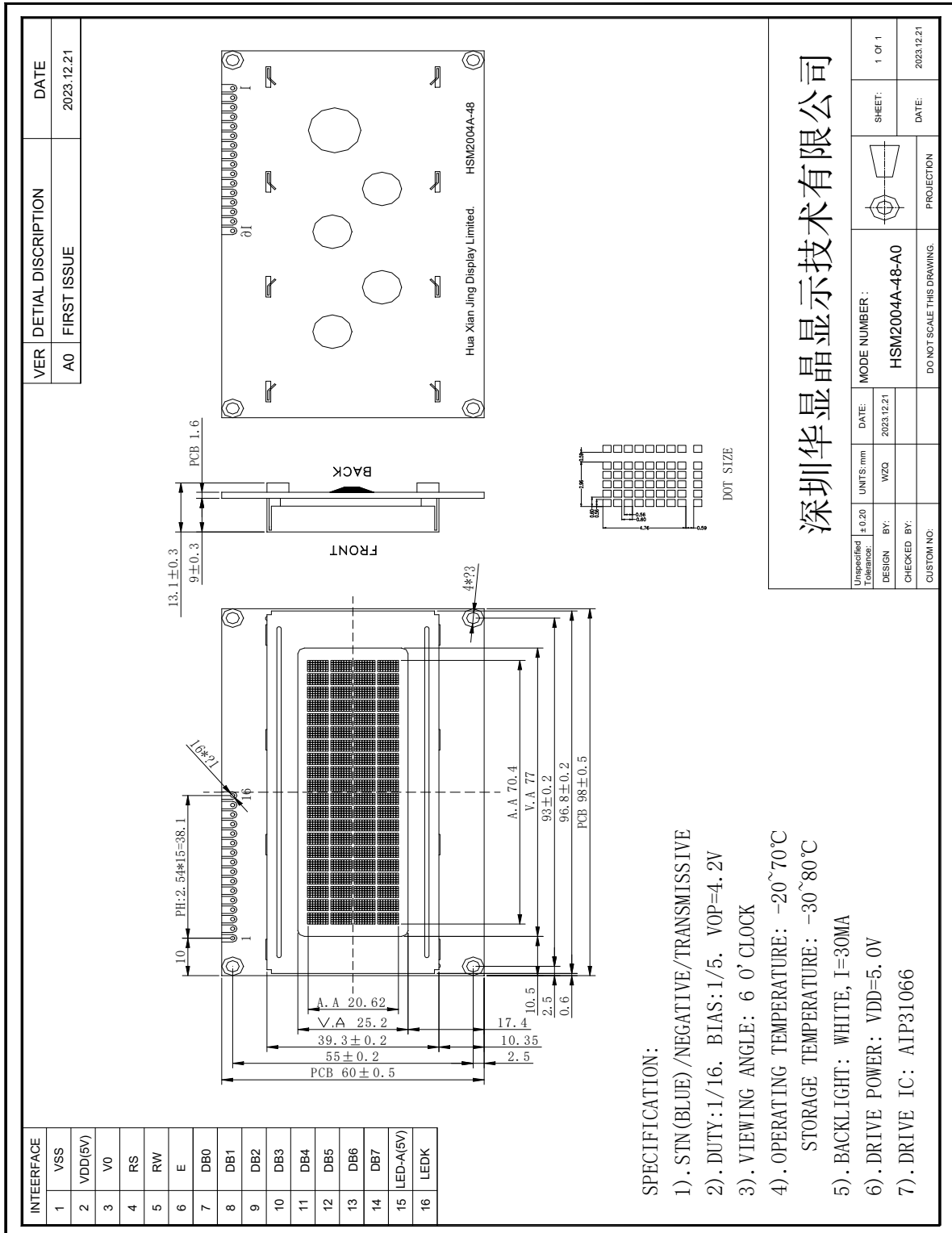
Skype: lynahuang2012

Mobile: +86 13632586591

2. MODULE STRUCTURE

2.1 Counter Drawing

2.1.1 LCM Mechanical Diagram





深圳市华显晶显示技术有限公司

HUA XIAN JING Display Limited

Contacts: Lyna Huang

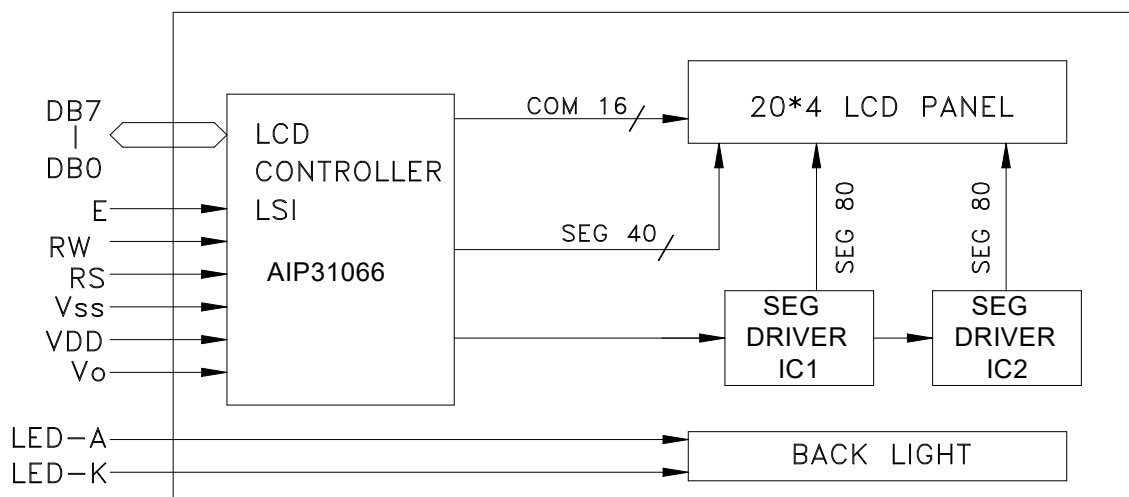
E-mail: sales@huaxianjing.com

Skype: lynahuang2012

Mobile: +86 13632586591

2.2 Interface Pin Description

No.	Symbol	Function
1	VSS	Ground (0V)
2	VDD	Supply Voltage for Logic (+5.0V)
3	VO	Contrast Adjustment
4	RS	Data/Instruction Select
5	R/W	Read/Write Select
6	E	Enable Signal
7--14	DB0—DB7	Data Bus
15	LED_A	LED Power Supply + (5.0V)
16	LED_K	LED Power Supply - (0V)



Character located 1 2 3 4 5 6 7 8 9 10 11 12 13 14 15 16 17 18 19 20

DDRAMaddress	00	01	02	03	04	05	06	07	08	09	0A	0B	0C	0D	0E	0F	10	11	12	13
DDRAMaddress	40	41	42	43	44	45	46	47	48	49	4A	4B	4C	4D	4E	4F	50	51	52	53
DDRAMaddress	14	15	16	17	18	19	1A	1B	1C	1D	1E	1F	20	21	22	23	24	25	26	27
DDRAMaddress	54	55	56	57	58	59	5A	5B	5C	5D	5E	5F	60	61	62	63	64	65	66	67



深圳市华显晶显示技术有限公司

HUA XIAN JING Display Limited

Contacts: Lyna Huang

E-mail: sales@huaxianjing.com

Skype: lynahuang2012

Mobile: +86 13632586591

2.3 Timing Characteristics

DC Characteristics

Characteristics	Symbol	Limit			Unit	Test Condition
		Min.	Typ.	Max.		
Operating Current	IDD	-	0.55	0.8	mA	External clock (Note)
Input High Voltage	V _{IH1}	2.2	-	VDD	V	Pins:(E, RS, R/W, DB7 - 0)
Input Low Voltage	V _{IL1}	-0.3	-	0.6	V	
Input High Voltage	V _{IH2}	VDD-1	-	VDD	V	Pin OSC1
Input Low Voltage	V _{IL2}	-0.2	-	1.0	V	Pin OSC1
Input High Current	I _{IH}	-2.0	-	2.0	μA	Pins: (RS, R/W, DB7 - 0)
Input Low Current	I _{IL}	-20.0	-50.0	-100.0	μA	VDD = 5.0V
Output High Voltage (TTL)	V _{OH1}	2.4	-	VDD	V	I _{OH} = - 0.1mA Pins: DB7 - 0
Output Low Voltage (TTL)	V _{OL1}	-	-	0.4	V	I _{OL} = 0.1mA Pins: DB7 - 0
Output High Voltage (CMOS)	V _{OH2}	0.9VDD	-	VDD	V	I _{OH} = - 40.0μA, Pins: CL1, CL2, M, D
Output Low Voltage (CMOS)	V _{OL2}	-	-	0.1VDD	V	I _{OL} = 40.0μA, Pins: CL1, CL2, M, D
Driver ON Resistance (COM)	R _{COM}	-	-	20.0	KΩ	I _O = ±50.0μA, V _{LCD} = 4.0V Pins: COM16 - 1
Driver ON Resistance (SEG)	R _{SEG}	-	-	30.0	KΩ	I _O = ±50.0μA, V _{LCD} = 4.0V Pins: SEG40 - 1
LCD Voltage	V _{LCD}	3.0	-	11.0	V	VDD - V5, 1/4 bias or 1/5 bias

Note: F_{OSC} = 250.0KHz, VDD = 5.0V, pin E = "L", RS, R/W, DB7 - 0 are open, all outputs are no loads.

AC Characteristics

Characteristics	Symbol	Limit			Unit	Test Condition
		Min.	Typ.	Max.		
OSC Frequency	F _{OSC1}	190.0	270.0	350.0	KHz	VDD = 5.0V Rf = 91.0KΩ±2%



深圳市华显晶显示技术有限公司

HUA XIAN JING Display Limited

Contacts: Lyna Huang

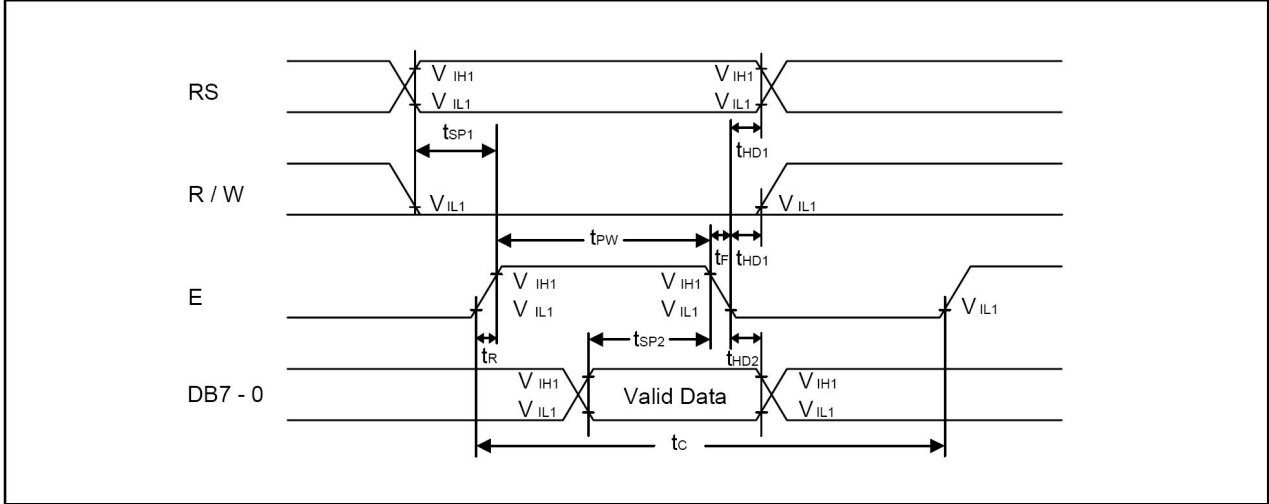
E-mail: sales@huaxianjing.com

Skype: lynahuang2012

Mobile: +86 13632586591

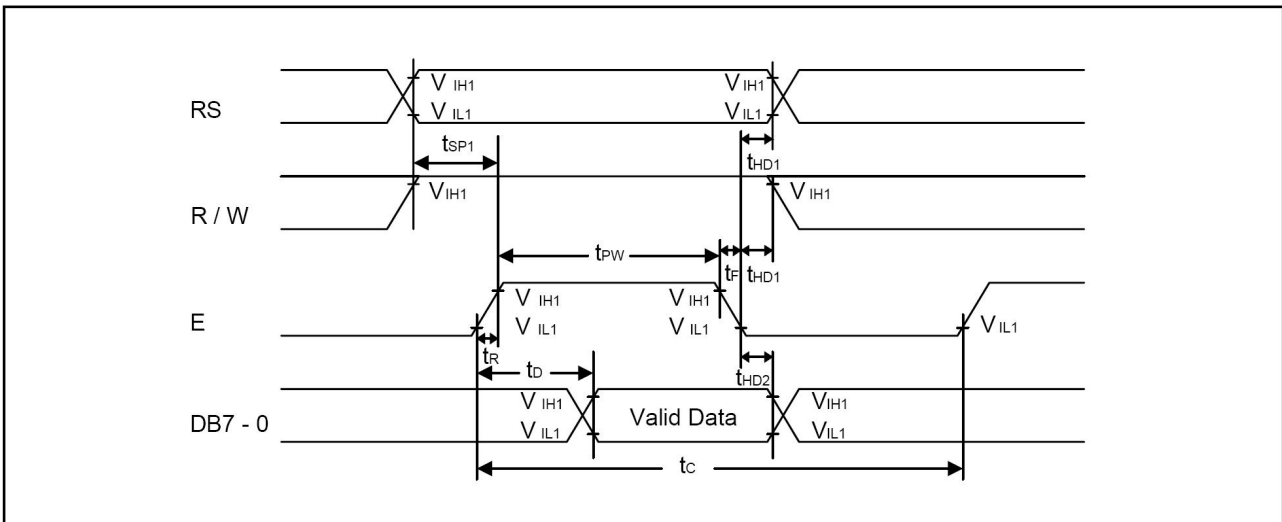
Timing Diagram

Writing mode



Characteristics	Symbol	Limit			Unit	Test Condition
		Min.	Typ.	Max.		
E Cycle Time	t_C	400.0	-	-	ns	Pin E
E Pulse Width	t_{PW}	150.0	-	-	ns	Pin E
E Rise/Fall Time	t_R, t_F	-	-	25.0	ns	Pin E
Address Setup Time	t_{SP1}	30.0	-	-	ns	Pins: RS, R/W, E
Address Hold Time	t_{HD1}	10.0	-	-	ns	Pins: RS, R/W, E
Data Setup Time	t_{SP2}	40.0	-	-	ns	Pins: DB7 - 0
Data Hold Time	t_{HD2}	10.0	-	-	ns	Pins: DB7 - 0

Read mode





深圳市华显晶显示技术有限公司

HUA XIAN JING Display Limited

Contacts: Lyna Huang

E-mail: sales@huaxianjing.com

Skype: lynahuang2012

Mobile: +86 13632586591

Characteristics	Symbol	Limit			Unit	Test Condition
		Min.	Typ.	Max.		
E Cycle Time	t_c	400.0	-	-	ns	Pin E
E Pulse Width	t_w	150.0	-	-	ns	Pin E
E Rise/Fall Time	$t_{R, F}$	-	-	25.0	ns	Pin E
Address Setup Time	t_{SP1}	30.0	-	-	ns	Pins: RS, R/W,E
Address Hold Time	t_{HD1}	10.0	-	-	ns	Pins: RS, R/W,E
Data Output Delay Time	t_D	-	-	100.0	ns	Pins: DB7 - 0
Data hold time	t_{HD2}	20.0	-	-	ns	Pin DB7 - 0

2.4 Instruction Table

◆ Display Control Instruction

Instruction	Instruction Code										Description	Execution time ($F_{osc} = 270KHz$)
	RS	RW	DB7	DB6	DB5	DB4	DB3	DB2	DB1	DB0		
Clear Display	0	0	0	0	0	0	0	0	0	1	Write "20H" to DDRAM and set DDRAM address to "00H" from AC	1.52ms
Return Home	0	0	0	0	0	0	0	0	1	-	Set DDRAM address to "00H" from AC and return cursor to its original position if shifted. The contents of DDRAM are not changed.	1.52ms
Entry Mode Set	0	0	0	0	0	0	0	1	I/D	S	Assign cursor moving direction and enable the shift of entire display	38 μ s
Display ON/OFF Control	0	0	0	0	0	0	1	D	C	B	Set display(D), cursor(C), and blinking of cursor(B) on/off control bit.	38 μ s
Cursor or Display Shift	0	0	0	0	0	1	S/C	R/L	-	-	Set cursor moving and display shift control bit, and the direction, without changing of DDRAM data.	38 μ s
Function Set	0	0	0	0	1	DL	N	F	-	-	Set interface data length (DL: 8-bit/4-bit), numbers of display line (N: 2-line/1-line) and, display font type (F: 5x10 dots/5x8 dots)	38 μ s
Set CGRAM Address	0	0	0	1	AC5	AC4	AC3	AC2	AC1	AC0	Set CGRAM address in address counter.	38 μ s
Set DDRAM Address	0	0	1	AC6	AC5	AC4	AC3	AC2	AC1	AC0	Set DDRAM address in counter	38 μ s
Read Busy Flag and Address Counter	0	1	BF	AC6	AC5	AC4	AC3	AC2	AC1	AC0	Whether during internal operation or not can be known by reading BF. The contents of address counter can also be read.	
Write Data to RAM	1	0	D7	D6	D5	D4	D3	D2	D1	D0	Write data into internal RAM (DDRAM/CGRAM).	38 μ s
Read Data from RAM	1	1	D7	D6	D5	D4	D3	D2	D1	D0	Read data from internal RAM (DDRAM/CGRAM).	38 μ s

* "-": don't care



深圳市华显晶显示技术有限公司

HUA XIAN JING Display Limited

Contacts: Lyna Huang E-mail: sales@huaxianjing.com
Skype: lynahuang2012 Mobile: +86 13632586591

2.5 Character Generator ROM

Upper 4 bit Lower 4 bit	LLLL	LLLH	LLHL	LLHH	LHLL	LHLH	LHHL	LHHH	HLLL	HLLH	HLHL	HLHH	HLHL	HLLH	HHLH	HHLH	HHHL	HHHH
LLLL				0	1	2	3	4	5	6	7	8	9	A	B	C	D	E
LLLH			!	!	!	!	!	!	!	!	!	!	!	!	!	!	!	!
LLHL			"	"	"	"	"	"	"	"	"	"	"	"	"	"	"	"
LLHH			#	#	#	#	#	#	#	#	#	#	#	#	#	#	#	#
LHLL			\$	\$	\$	\$	\$	\$	\$	\$	\$	\$	\$	\$	\$	\$	\$	\$
LHLH			%	%	%	%	%	%	%	%	%	%	%	%	%	%	%	%
LHHL			&	&	&	&	&	&	&	&	&	&	&	&	&	&	&	&
LHHH			*	*	*	*	*	*	*	*	*	*	*	*	*	*	*	*
HLLL			0	0	0	0	0	0	0	0	0	0	0	0	0	0	0	0
HLLH			1	1	1	1	1	1	1	1	1	1	1	1	1	1	1	1
HLHL			2	2	2	2	2	2	2	2	2	2	2	2	2	2	2	2
HLHH			3	3	3	3	3	3	3	3	3	3	3	3	3	3	3	3
HLLL			4	4	4	4	4	4	4	4	4	4	4	4	4	4	4	4
HHLH			5	5	5	5	5	5	5	5	5	5	5	5	5	5	5	5
HHHL			6	6	6	6	6	6	6	6	6	6	6	6	6	6	6	6
HHHH			7	7	7	7	7	7	7	7	7	7	7	7	7	7	7	7



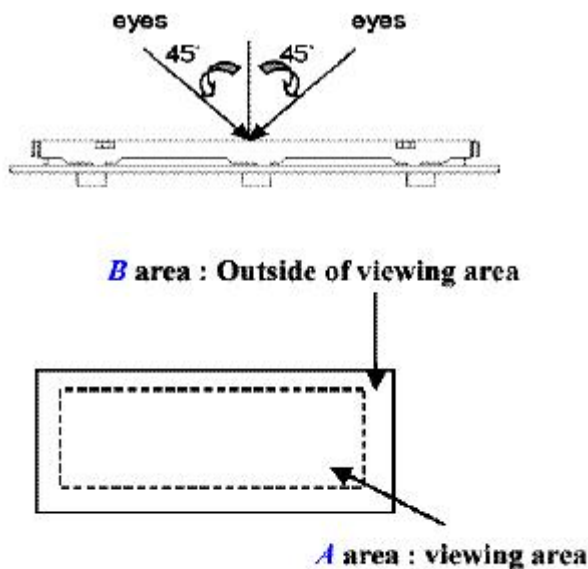
深圳市华显晶显示技术有限公司

HUA XIAN JING Display Limited

Contacts: Lyna Huang E-mail: sales@huaxianjing.com
 Skype: lynahuang2012 Mobile: +86 13632586591

2.6 Inspection Specification

- ◆ Inspection Standard : MIL-STD-105E Table Normal Inspection Single Sampling Level II .
- ◆ Equipment : Gauge、MIL-STD、Powertip Tester、Sample
- ◆ Defect Level : Major Defect AQL 0.4; Minor Defect AQL 1.5 .
- ◆ OUT Going Defect Level : Sampling .
- ◆ Manner of appearance test :
 - (1). The test be under 40W×2 fluorescent light ' and distance of view must be at 30 cm.
 - (2). The test direction is base on about around 45° of vertical line. (Fig. 1)
 - (3). Definition of area . (Fig. 2)



◆ Specification:

NO	Item	Criterion	level
01	Product condition	1.1 The part number is inconsistent with work order of Production.	Major
		1.2 Mixed production types.	Major
		1.3 Assembled in inverse direction.	Major
02	Quantity	2.1 The quantity is inconsistent with work order of production.	Major
03	Outline dimension	3.1 Product dimension and structure must conform to Structure diagram.	Major
04	Electrical Testing	4.1 Missing line character、 dot and icon.	Major
		4.2 No function or no display.	Major
		4.3 Output data is error.	Major
		4.4 LCD viewing angle defect.	Major
		4.5 Current consumption exceeds product specifications.	Major
05	Black or white dot、 scratch、 contamination Round type	5.1 Round type: 5.1.1 display only : ·White and black spots on display \cong 0.25mm, no more than Four white or black spots present. ·Densely spaced : NO more than two spots or lines within 3mm	Minor



深圳市华显晶显示技术有限公司

HUA XIAN JING Display Limited

Contacts: Lyna Huang

E-mail: sales@huaxianjing.com

Skype: lynahuang2012

Mobile: +86 13632586591

◆ Specification :

NO	Item	Criterion	level	
05	<p>Black or white dot、scratch、contamination</p> <p>Round type</p> $\Phi = (x+y)/2$	<p>5.1.2 Nom-display :</p> <p>Dimension (diameter : Φ)</p> <p>Acceptance(Q'ty)</p> $\Phi \leq 0.20\text{mm}$ <p>Accept no dense</p> <p>$0.10\text{mm} < \Phi \leq 0.20\text{mm}$</p> <p>$0.20\text{mm} < \Phi \leq 0.25\text{mm}$</p> <p>Total</p> <p>5.1.3 Line type:</p> <p>Dimension (diameter : Φ)</p> <p>Acceptance (Q'ty)</p> <p>Length</p> <p>width</p> <p>A area</p> <p>B area</p> <p>---</p> <p>$w \leq 0.03\text{mm}$</p> <p>Accept no dense</p> <p>Don't count</p> <p>$L \leq 3.0\text{mm}$</p> <p>$0.03\text{mm} < \Phi \leq 0.05\text{mm}$</p> <p>Don't count</p> <p>$L \leq 2.5\text{mm}$</p> <p>$0.05\text{mm} < \Phi \leq 0.075\text{mm}$</p> <p>Don't count</p> <p>---</p> <p>$w > 0.075\text{mm}$</p> <p>As round type</p>	<p>3</p> <p>2</p> <p>4</p> <p>4</p>	Minor



深圳市华显晶显示技术有限公司

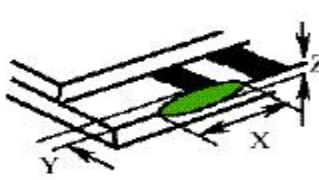
HUA XIAN JING Display Limited

Contacts: Lyna Huang

E-mail: sales@huaxianjing.com

Skype: lynahuang2012

Mobile: +86 13632586591

06	Polarizer Bubble	<p>Dimension (diameter : Φ)</p> <table border="0"> <tr> <td style="vertical-align: top;">A area</td> <td style="vertical-align: top;"> Acceptance(Q'ty) B area $\Phi \leq 0.20\text{mm}$ Accept no dense Don't count $0.20\text{mm} < \Phi \leq 0.50\text{mm}$ 3 Don't count $0.50\text{mm} < \Phi \leq 1.00\text{mm}$ 2 Don't count $\Phi > 1.00\text{mm}$ 0 Don't count Total quantity 4 Don't count </td> </tr> </table>	A area	Acceptance(Q'ty) B area $\Phi \leq 0.20\text{mm}$ Accept no dense Don't count $0.20\text{mm} < \Phi \leq 0.50\text{mm}$ 3 Don't count $0.50\text{mm} < \Phi \leq 1.00\text{mm}$ 2 Don't count $\Phi > 1.00\text{mm}$ 0 Don't count Total quantity 4 Don't count	Minor
A area	Acceptance(Q'ty) B area $\Phi \leq 0.20\text{mm}$ Accept no dense Don't count $0.20\text{mm} < \Phi \leq 0.50\text{mm}$ 3 Don't count $0.50\text{mm} < \Phi \leq 1.00\text{mm}$ 2 Don't count $\Phi > 1.00\text{mm}$ 0 Don't count Total quantity 4 Don't count				
07	The crack of glass	<p>● Glass Crack: 7.1 Crack on the circuit of electrode terminal :</p>  <p style="text-align: center;">X Y Z</p> <p style="text-align: center;">Front $X \leq 1/5 a$ $Y \leq 1/2 D$ $Z \leq t$</p> <p style="text-align: center;">Back</p> <p style="text-align: center;">Neglect</p>	Minor		



深圳市华显晶显示技术有限公司

HUA XIAN JING Display Limited

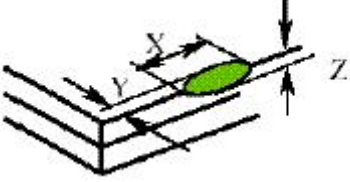

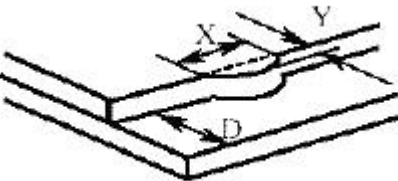
Contacts: Lyna Huang

E-mail: sales@huaxianjing.com

Skype: lynahuang2012

Mobile: +86 13632586591

◆ Specification :

NO	Item	Criterion	Level
07	<p>The crack of glass</p> <p>X: The length of Crack</p> <p>Y: The width of crack</p> <p>Z: The thickness of crack</p> <p>D: terminal length</p> <p>T: The thickness of glass</p> <p>A : The length of glass</p>	<p>● Glass Crack:</p> <p>7.2 General glass crack and corner edge:</p> <p>7.2.1</p>  <p>X Y Z Neglect Out A area Neglect</p> <p>7.2.2</p>  <p>X Y Z Neglect Out A area Neglect</p>	Minor
		<p>7.3 Glass remain:</p>  <p>X Y Neglect $\cong 1/3 d$</p>	Minor



深圳市华显晶显示技术有限公司

HUA XIAN JING Display Limited

Contacts: Lyna Huang

E-mail: sales@huaxianjing.com

Skype: lynahuang2012

Mobile: +86 13632586591

◆ Specification :

NO	Item	Criterion	Level
07	<p>The crack of glass</p> <p>X: The length of Crack</p> <p>Y: The width of crack</p> <p>Z: The thickness of crack</p> <p>D: terminal length</p> <p>T: The thickness of glass</p> <p>A : The length of glass</p>	<p>7.4 Corner crack and medial crack:</p> <p>Crack can't enter viewing area</p> <p>$\cong 1/5a$</p> <p>$\cong 1/2t$</p> <p>$\cong 1/5a$</p> <p>Crack can't exceed the half of width of SP width of SP</p> <p>$1/2t < Z \cong 2t$</p>	Minor
08	Backlight elements	8.1 Backlight can't work normally.	Major
		8.2 Backlight doesn't light or color is wrong.	Major
		8.3 Illumination source flickers when lit.	Major
09	General appearance	9.1 pin type must match type in specification sheet	Major
		9.2 No short circuits in components on PCB or FPC	Major
		9.3 Product packaging must be the same as specified on packaging specification sheet.	Major
		9.4 The folding and peeled off in polarizer are not acceptable	Major
		9.5 The PCB or FPC between B/L assembled distance (PCB or FPC) is $\cong 1.5\text{mm}$	Major